

WELKER®

Engineering Company

ISO-9001
CERTIFIED
SINCE 1992



The Guardian fits in the palm of your hand.

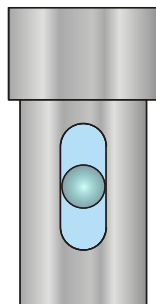
Welker Guardian Flow Conditioner

Style ALSLE

The Welker Guardian Flow Conditioner is designed to protect analytical instruments from liquids. Welker has taken two of its products and combined them into one great product. The "Guardian" is quick and easy to install. The "Guardian" is equipped with a shut-off ball that floats on the free liquid and moves up to shut off the flow of liquid slugs that would flood the analyzer. This new product design is to help protect analyzers from damage and contamination by removing liquids and particulates while sampling.

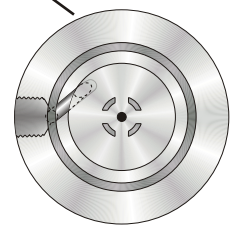


Manufactured under U.S. Patent:
#5,579,803



Automatic Liquid Shut-Off
(ALS)

Two great Welker
Products combined
into one...



Liquid Eliminator
(LE)

WelkerGlobal Solutions for Your Needs!

Welker Guardian Flow Conditioner

Specifications*

Application

The Welker Guardian can be used with all products that are compatible with the materials of construction and seal material. The purpose of the "Guardian" is to prevent liquid from getting into analytical instruments.

Pressure Rating

1000 psi w.p.

Temperature Rating

200 (High temperature model available)

Inlet Filter

Replacement membrane

Materials

316 stainless steel construction

Connections

Outlet: 1/8" Inlet: 1/4"

Weight

2.2 lbs.

Dimensions

Diameter: 2 1/4" Height: 4 1/2"

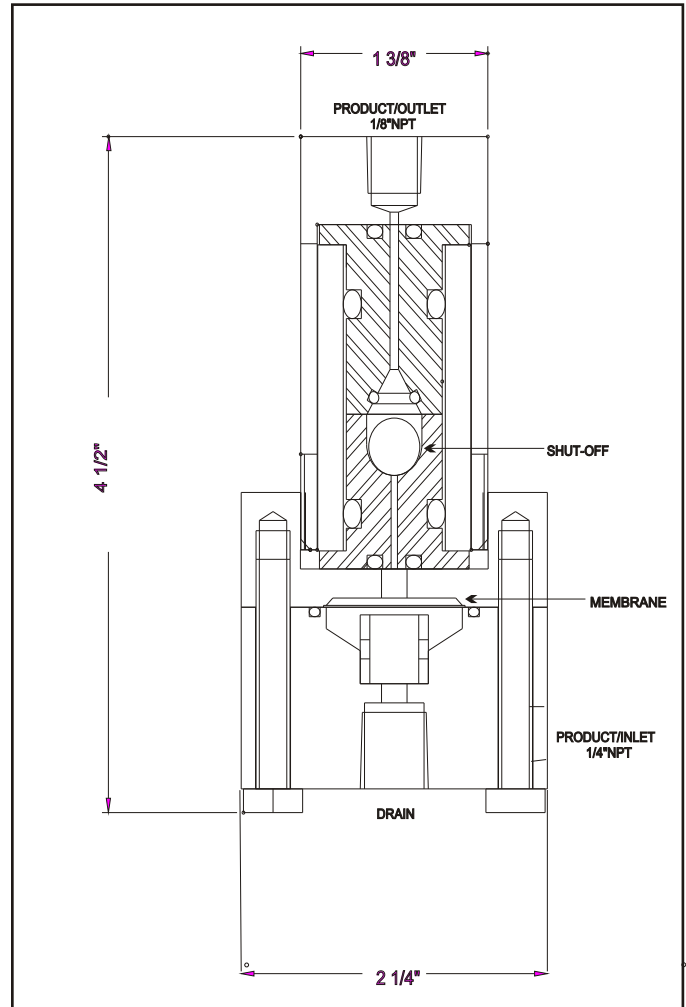
Features

The Welker Guardian can be used on chromatographs, calorimeters, moisture analyzers and stack sampling systems.

Prevents liquid from getting into analytical instruments.

316 stainless steel construction.

The "Guardian" is the best of two Welker Products combined to create one great flow conditioner.



Other Welker Products

Analyzer Liquid Shut-Off
Fluid Sentinel Sample Conditioning System
Therm Pak Heated Pipeline Enclosure
Constant Pressure Sample Cylinders
Instrument Regulators
"Cocoon" Heat Blanket

Specifications subject to change without notice.
Drawings/Photos may be shown with optional equipment.



Haldatec

Phone: +61-3-9872-5822 Fax: +61-3-9872-5129
Email: sales@haldatec.com.au Web Site: www.haldatec.com.au